



Sons of The American Legion 50th Commemorative Convention Coin Design Challenge

The SAL National "50th Commemorative Convention Committee" is asking for your design ideas for the Commemorative Coin celebrating our 50th National Convention next August 26-28, 2022.

The "Design Challenge" has benefits for the designer of the winning design; The designer of the coin will receive \$500.00 and two tickets to the Commemorative Event being held on Saturday.

Will your design win??

Enter the competition and submit your ideas by the deadline: November 15th, 2021

— The Rules —

- Maximum of three (3) entries per person.
- Submittal must be received by the close of business, Monday, November 15th, 2021.
- All Design Minimums must be included in your design in order to be considered.
- Commemorative Committee's vote is the final decision in selection of design for production.
- Supplemental artwork must accompany this form at the time of submittal.
- The winning design becomes property of The American Legion at the time of selection.
- Competition is open to everyone.

— Design Minimums and Mechanicals —

- "50th National Convention" must be prominent in the design.
- "Milwaukee" must be prominent in the design.
- "2022" must be prominent in the design.
- The SAL Logo must be integrated into the design within "Emblem Use Guidelines" parameters. (see link in following).
- "Emblem Style and Use Guide" is available at: <https://archive.legion.org/bitstream/handle/20.500.12203/5445/aa002107.pdf?sequence=1&isAllowed=y>
- **The remainder is up to You!!!**

Your Full Name

Your Membership Number

State

Email Address

Cell Phone Number

Completed design submittal is sent to: sal50thConvention@gmail.com

Please contact us with your inquiries at the e-mail address above

Front of Coin

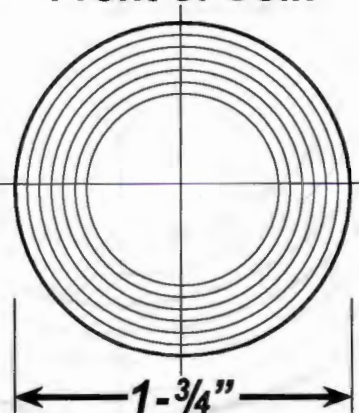
1 _____

2 _____

3 _____

4 _____

5 _____



Back of Coin

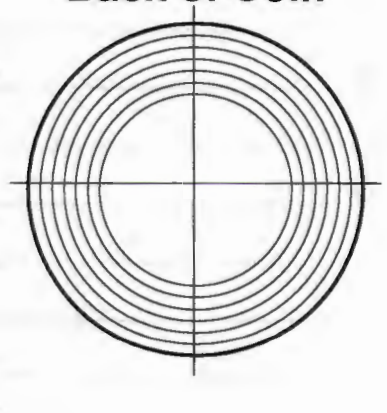
1 _____

2 _____

3 _____

4 _____

5 _____



Front of Coin

1 _____

2 _____

3 _____

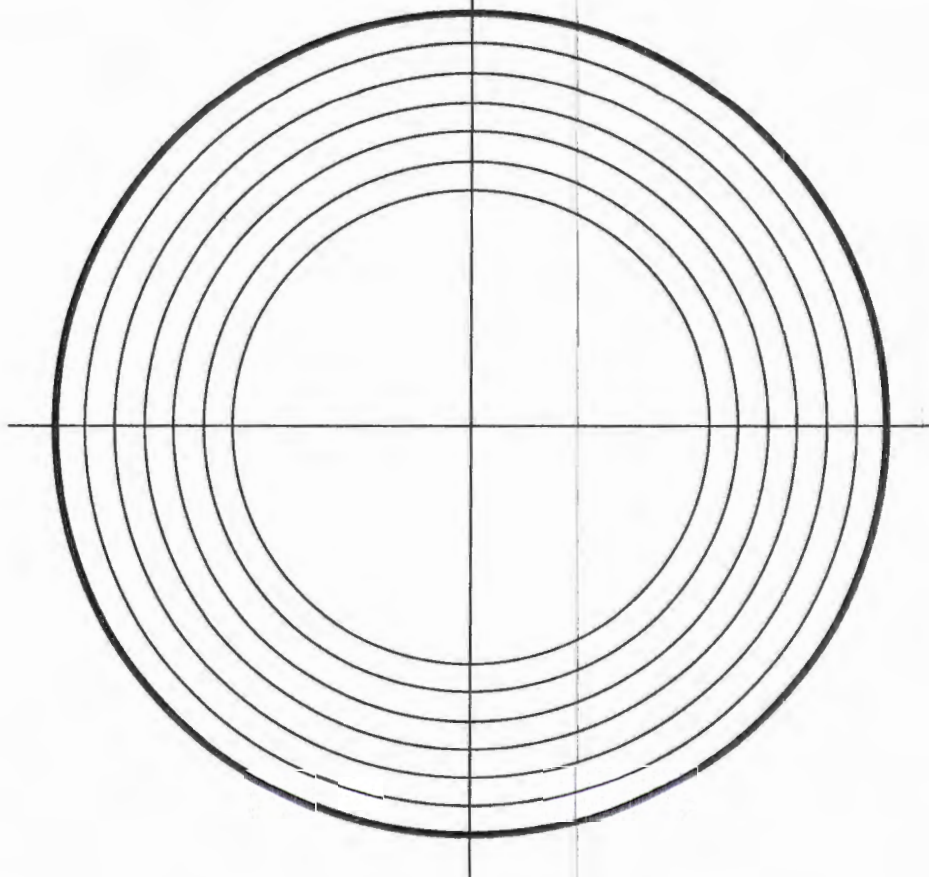
4 _____

5 _____

6 _____

7 _____

8 _____



Back of Coin

1 _____

2 _____

3 _____

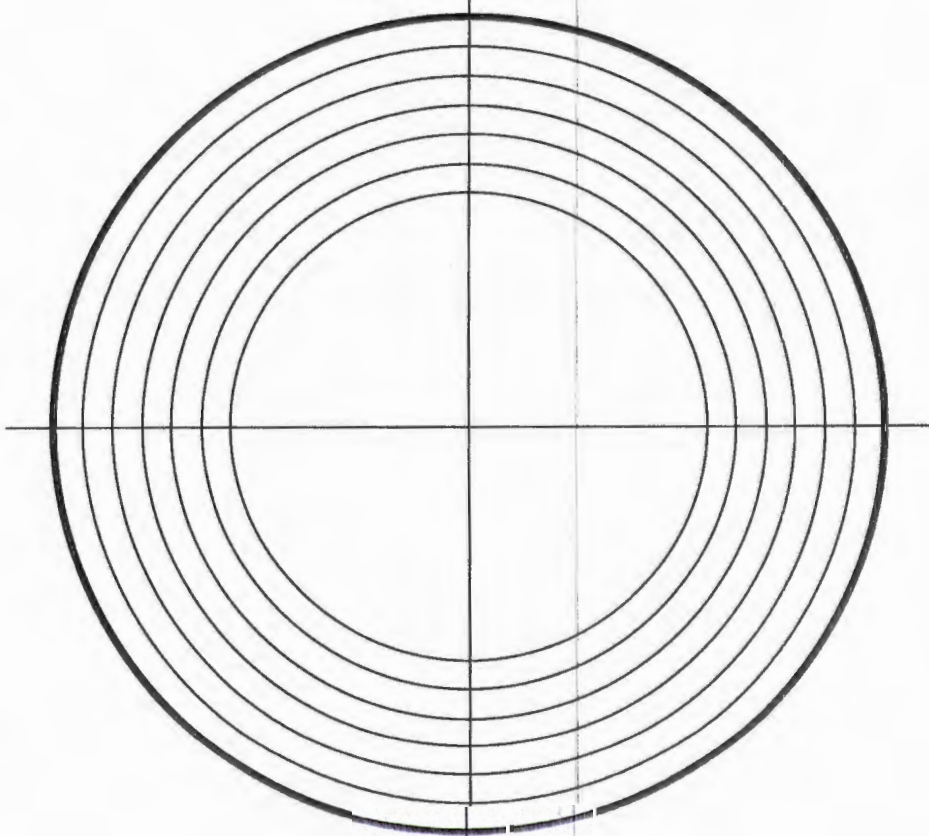
4 _____

5 _____

6 _____

7 _____

8 _____



1 - 3/4"